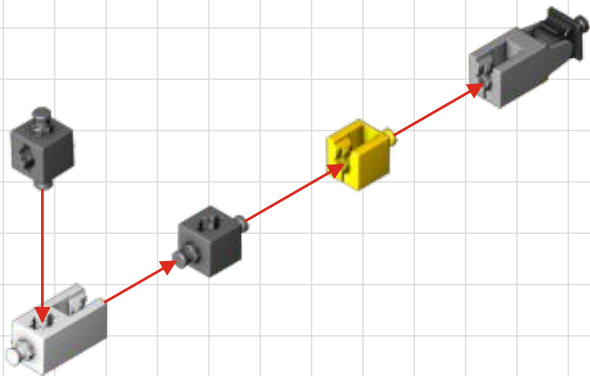
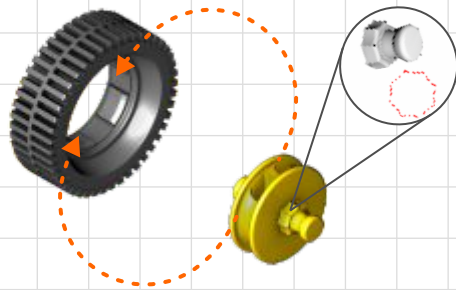


01

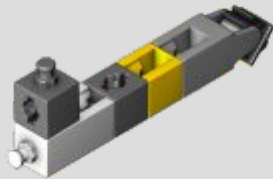


01

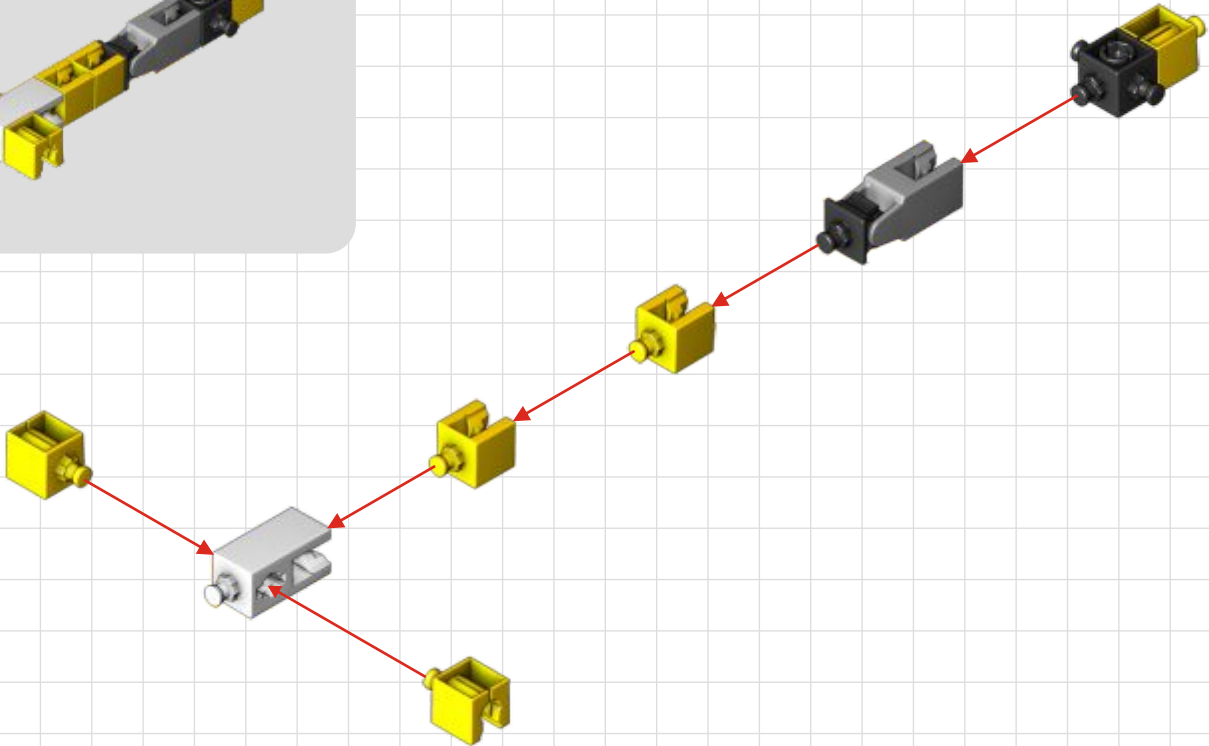
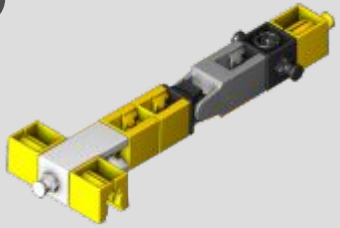
02 x4



03 x2

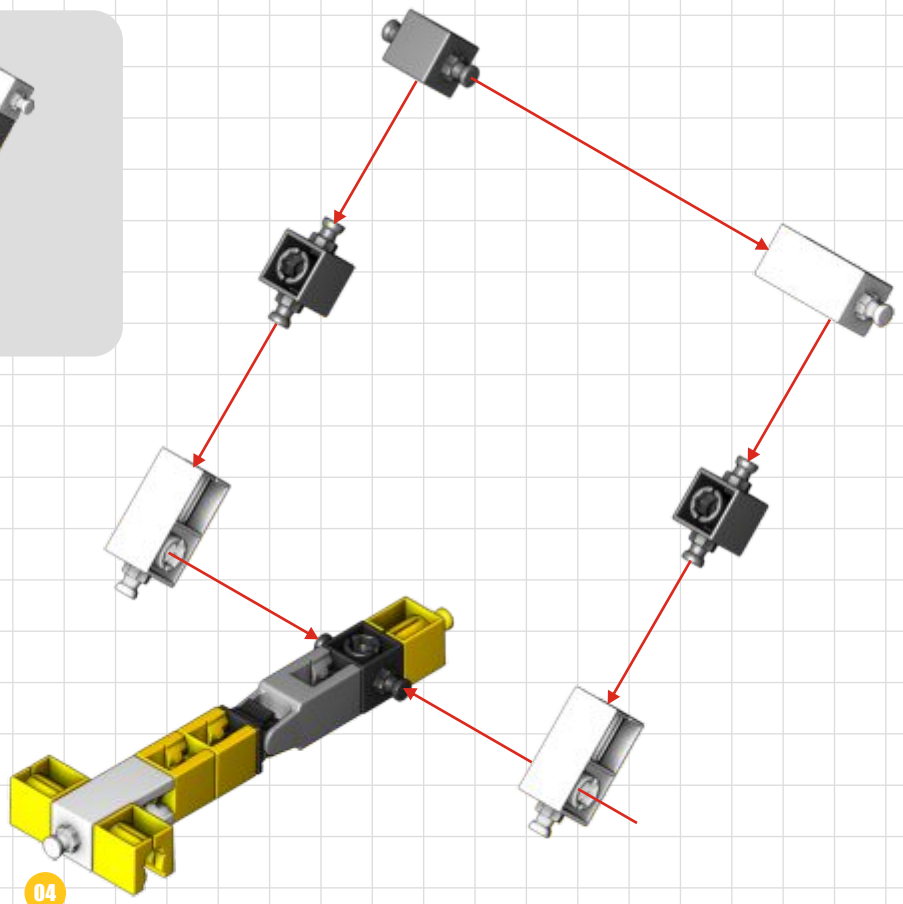
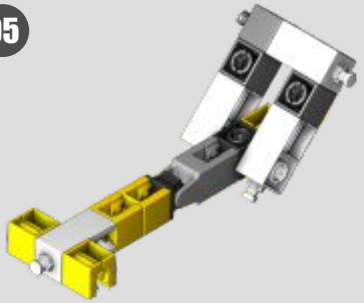


04



03

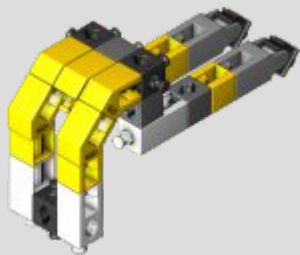
05



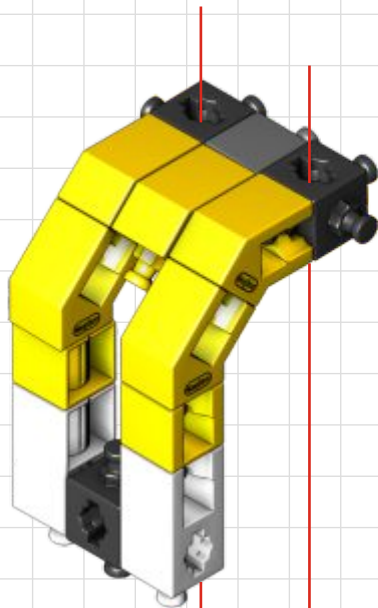
04

04

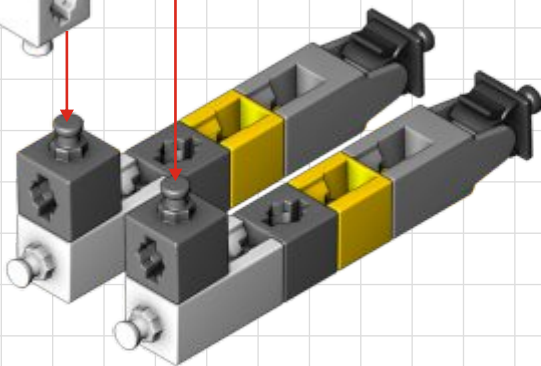
06



01

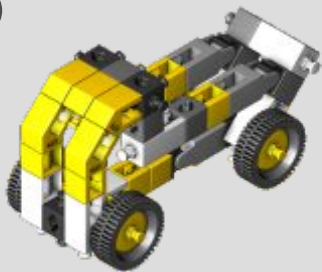


03

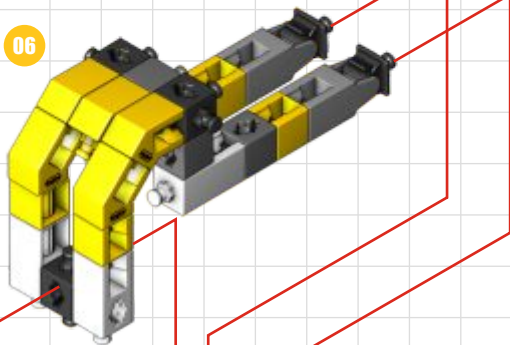


05

07



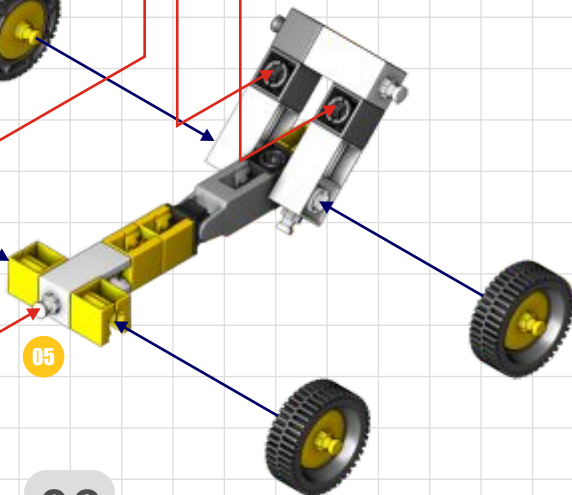
06



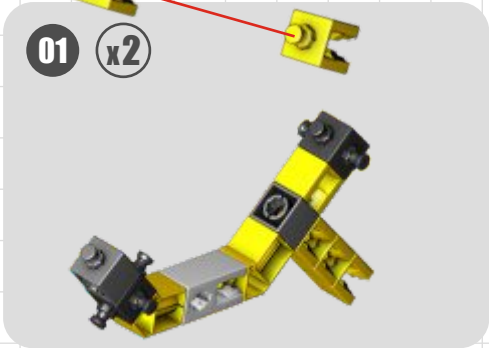
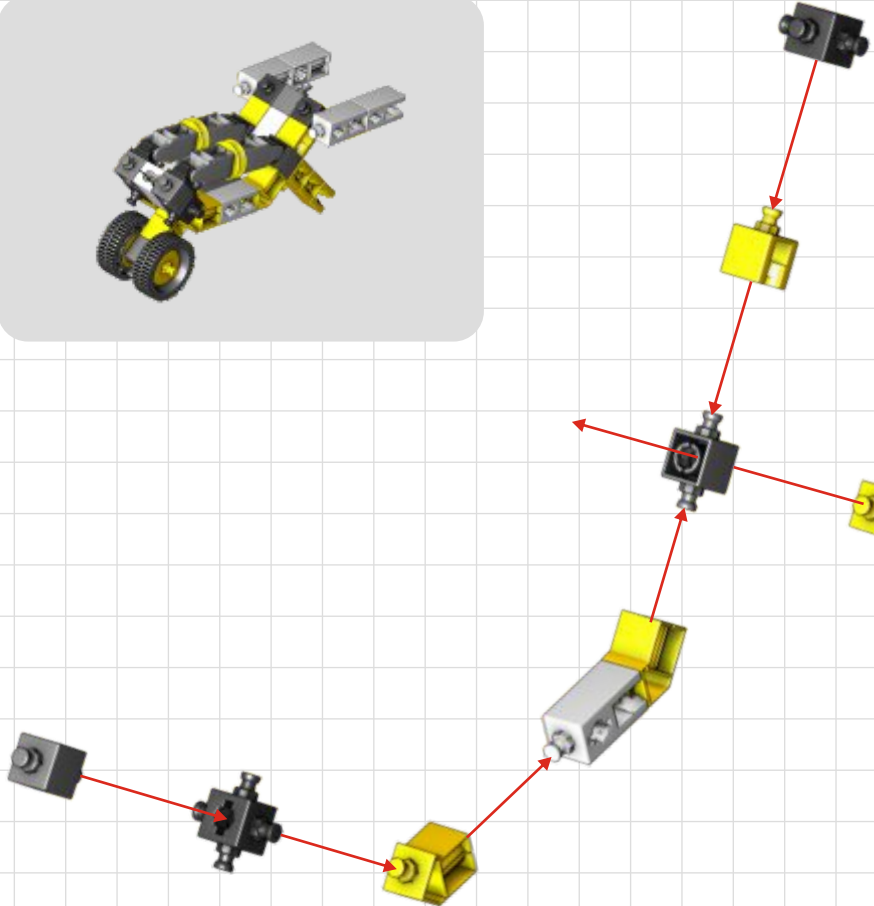
02



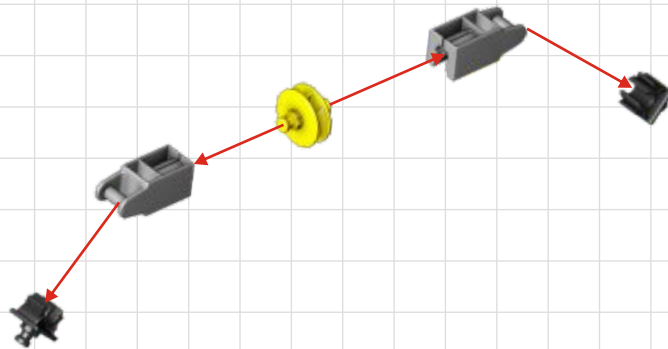
05



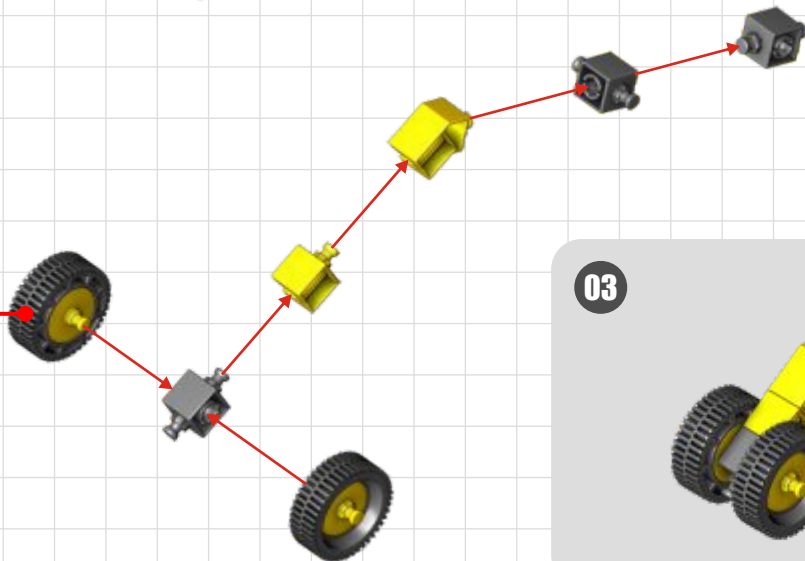
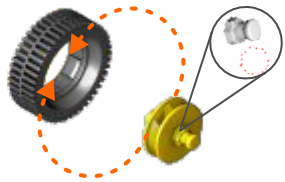
06



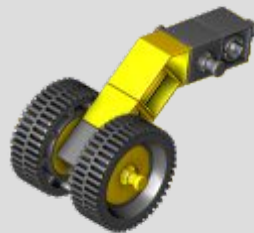
02 x2



x2

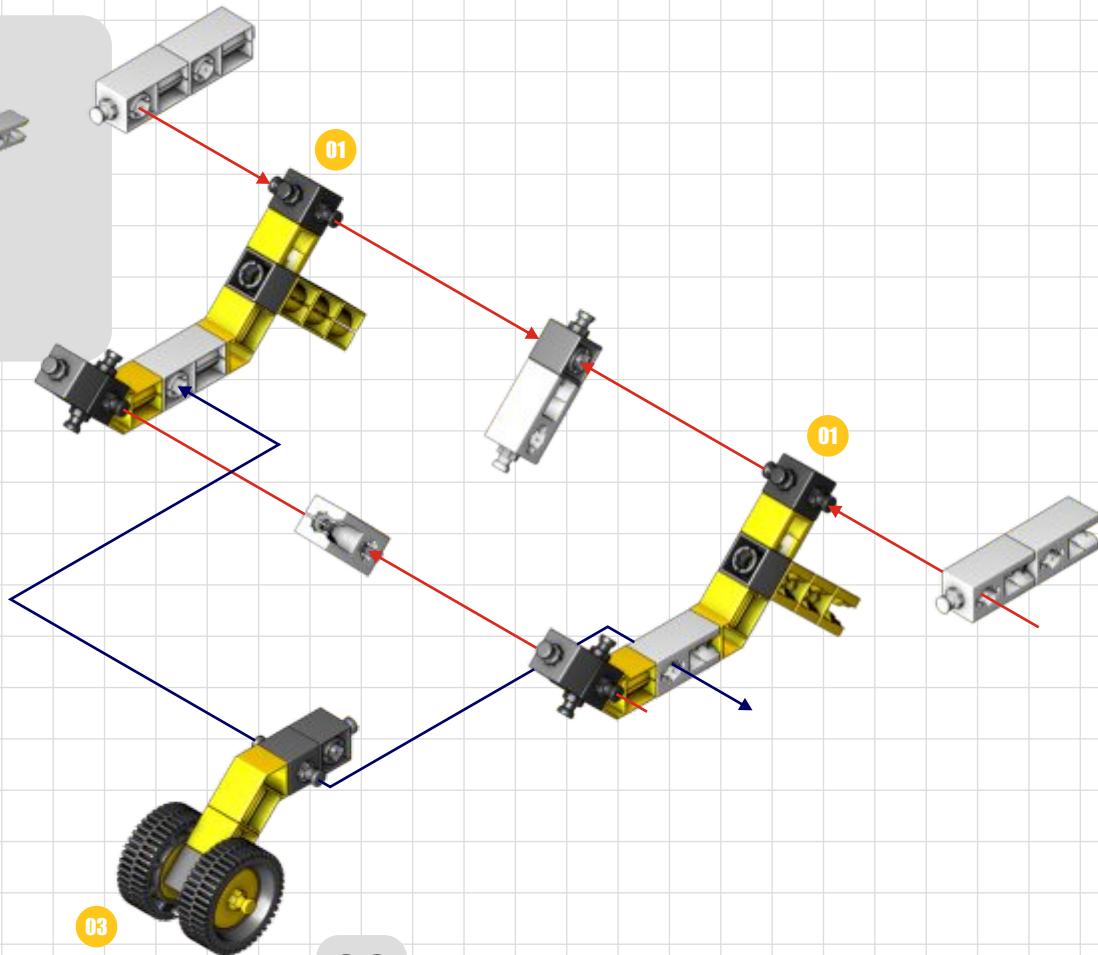


03



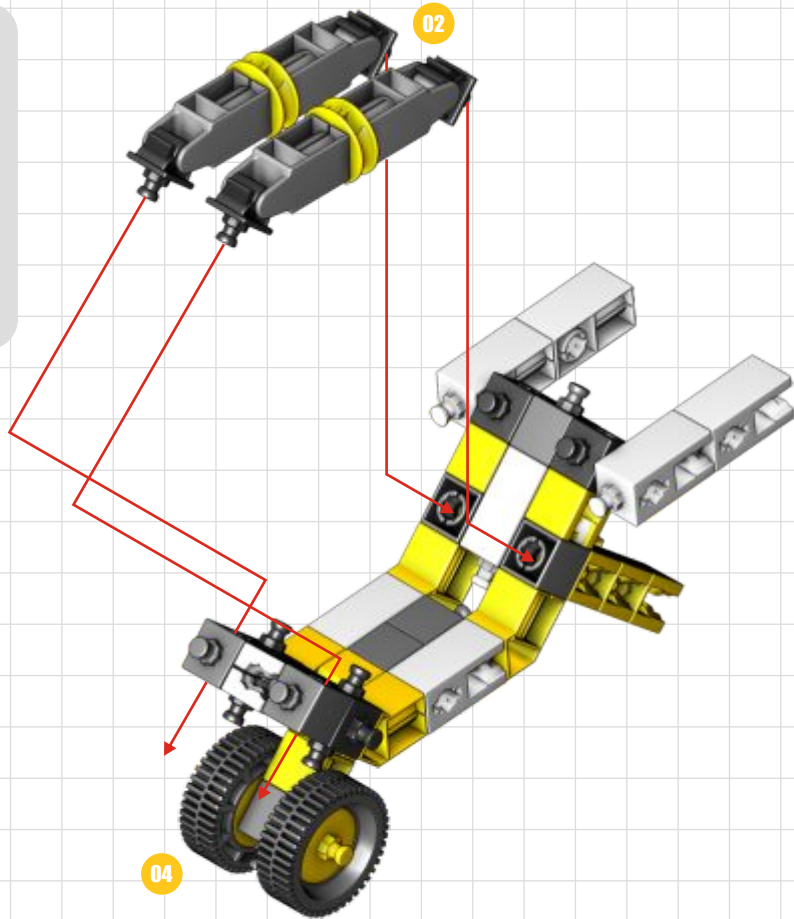


04



09

05





x2



x1



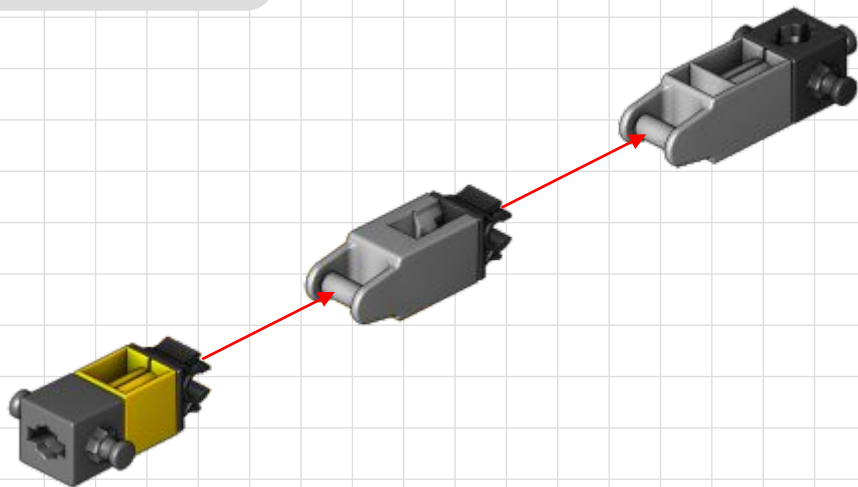
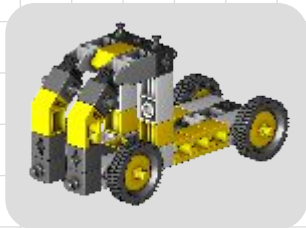
x1



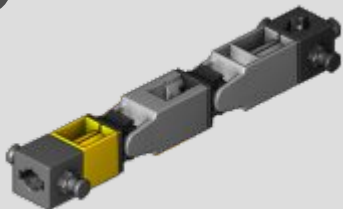
x1



x2



01





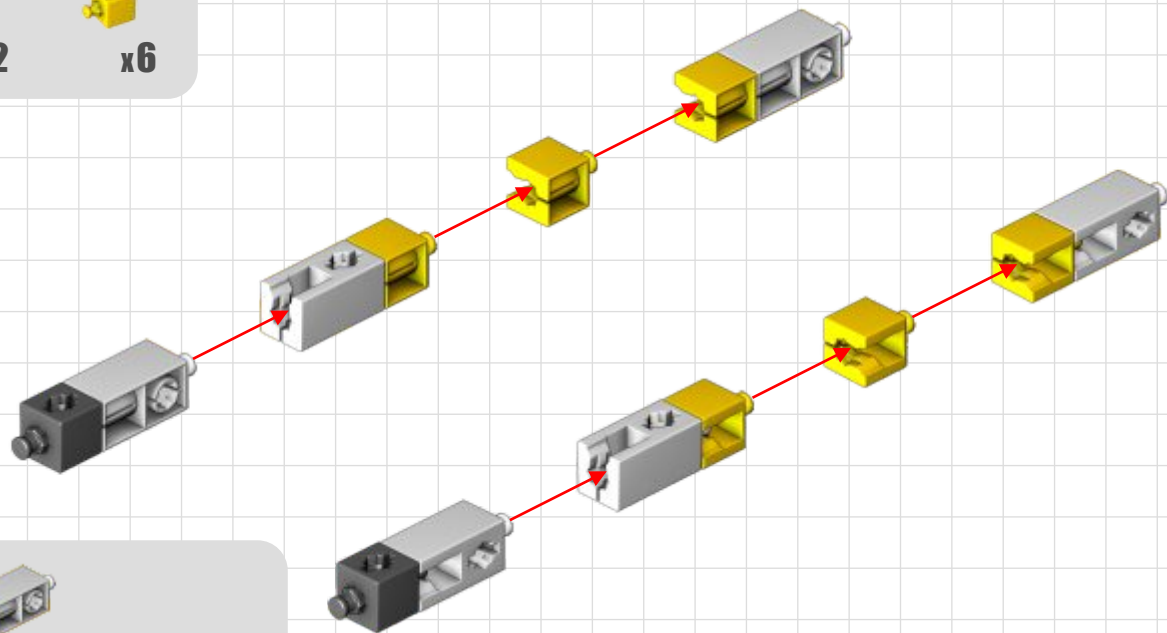
x6



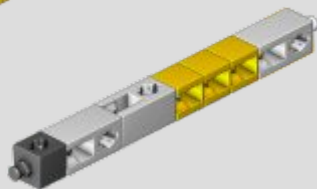
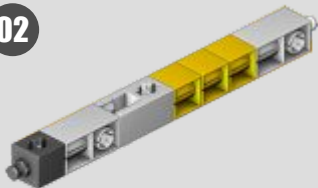
x2

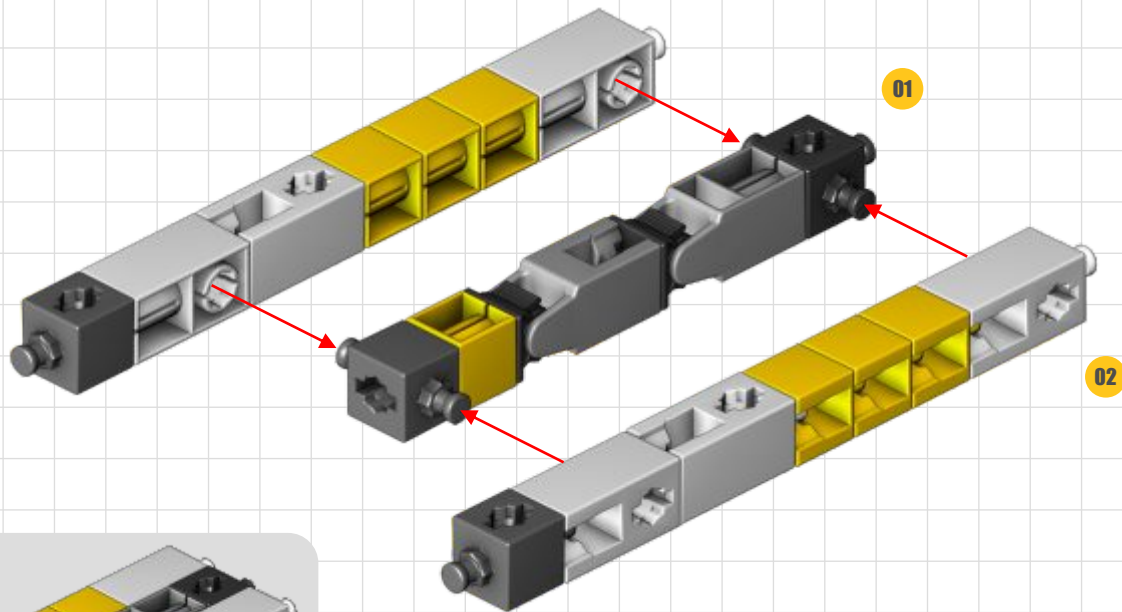


x6



02







x2



x2



x3



x4



x3

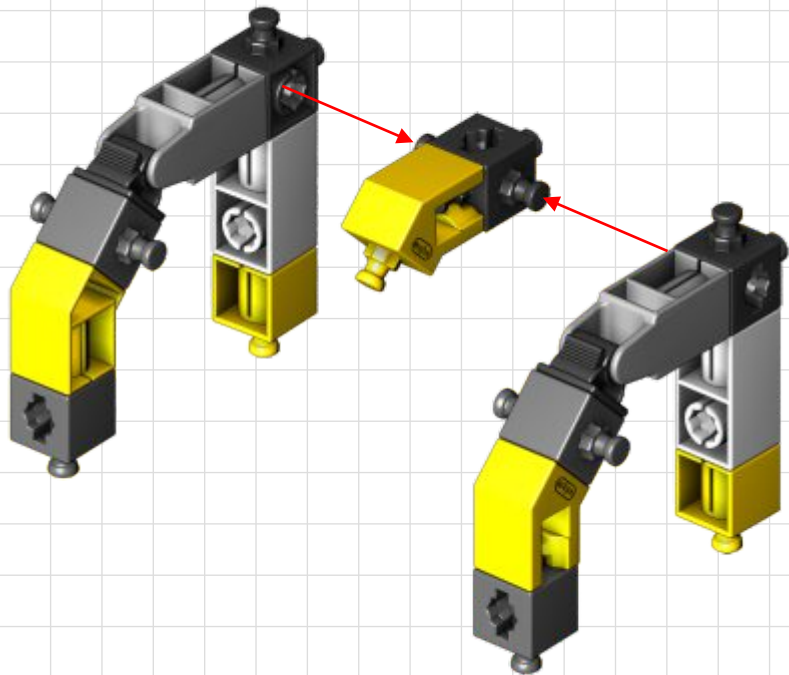
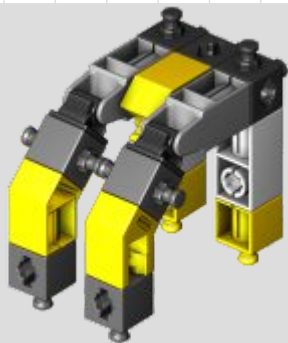


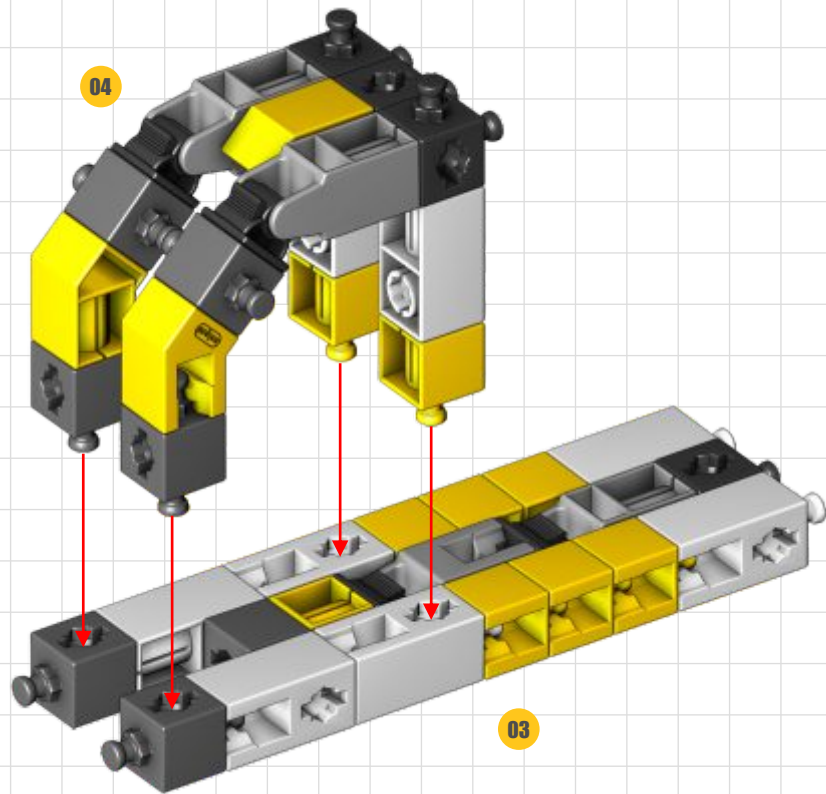
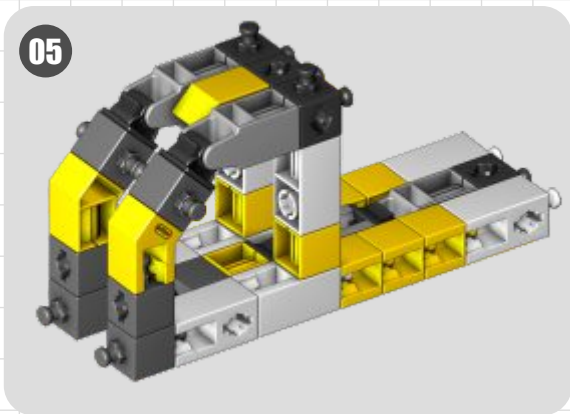
x2



x2

04





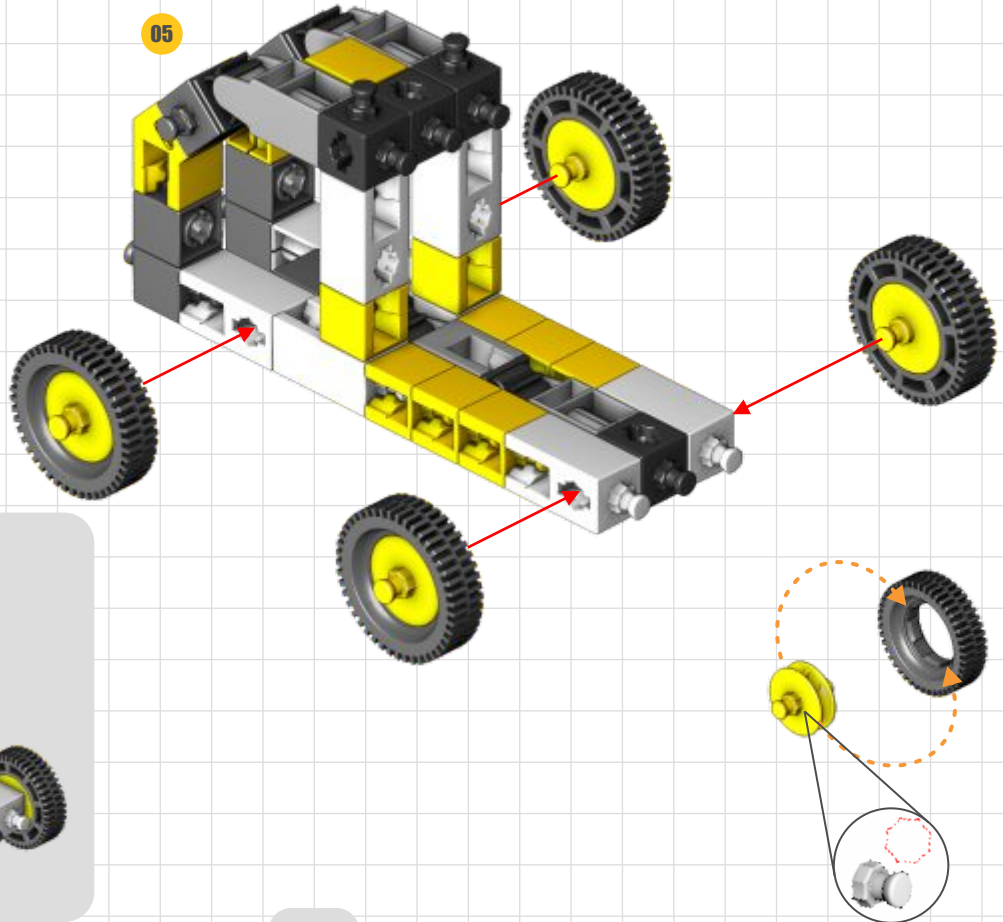


x4

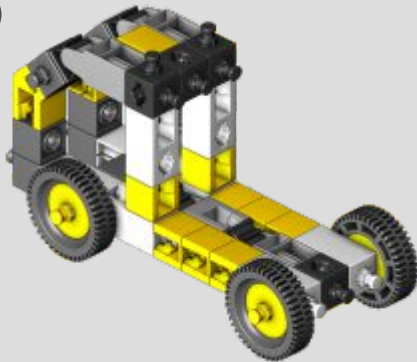


x4

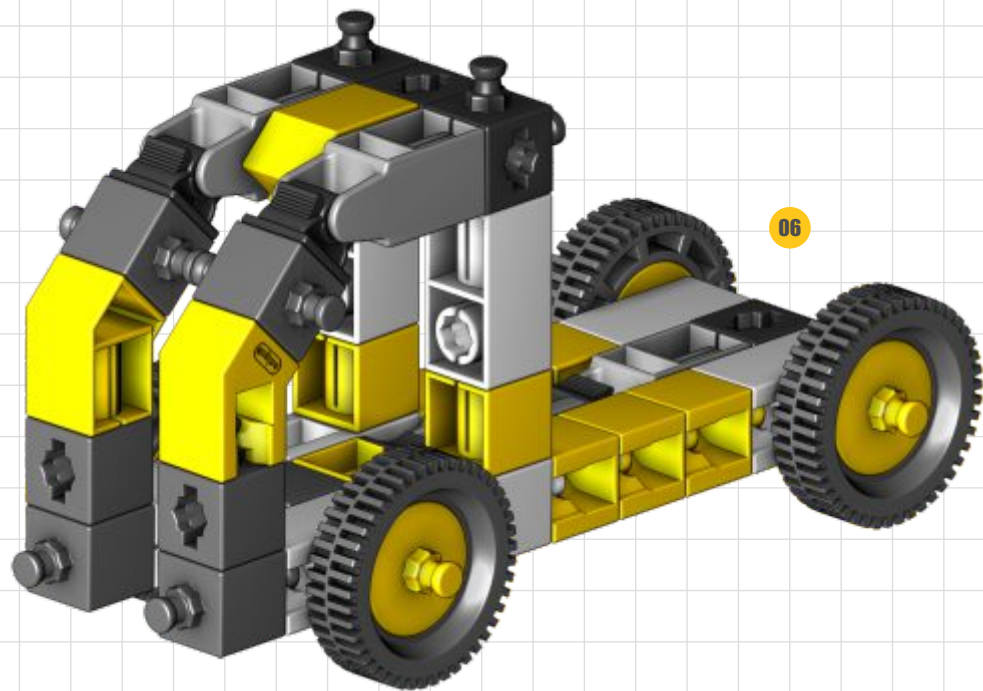
05



06









x4



x4



x4



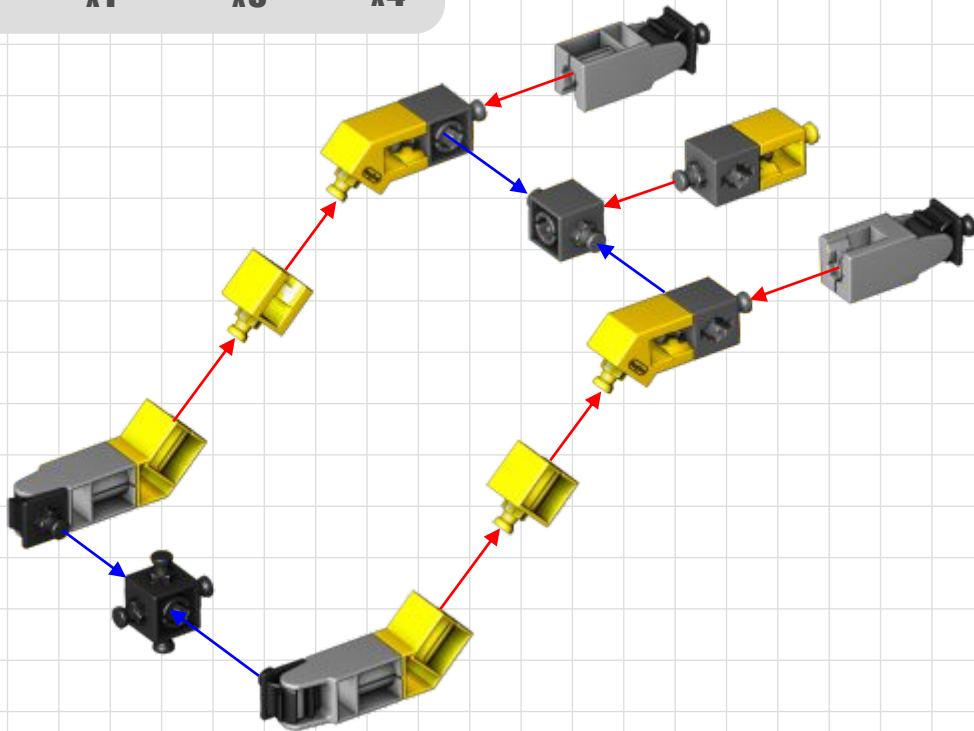
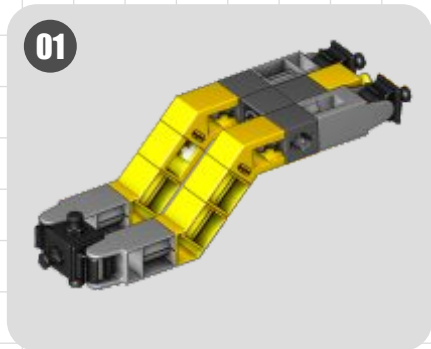
x1



x3



x4





x1

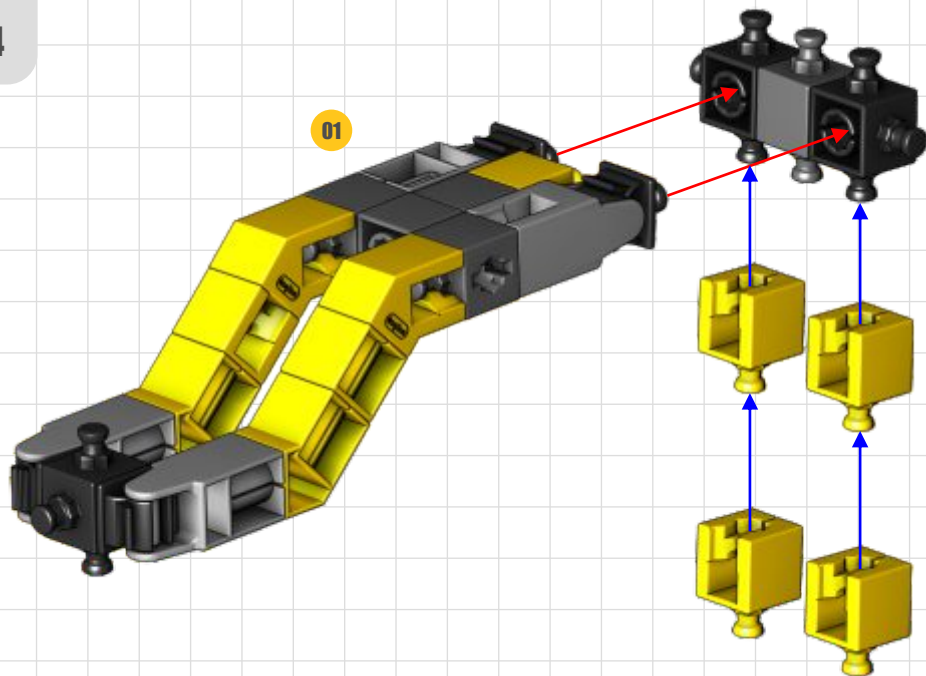


x2

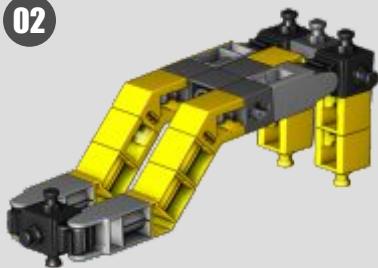


x4

01



02





x8



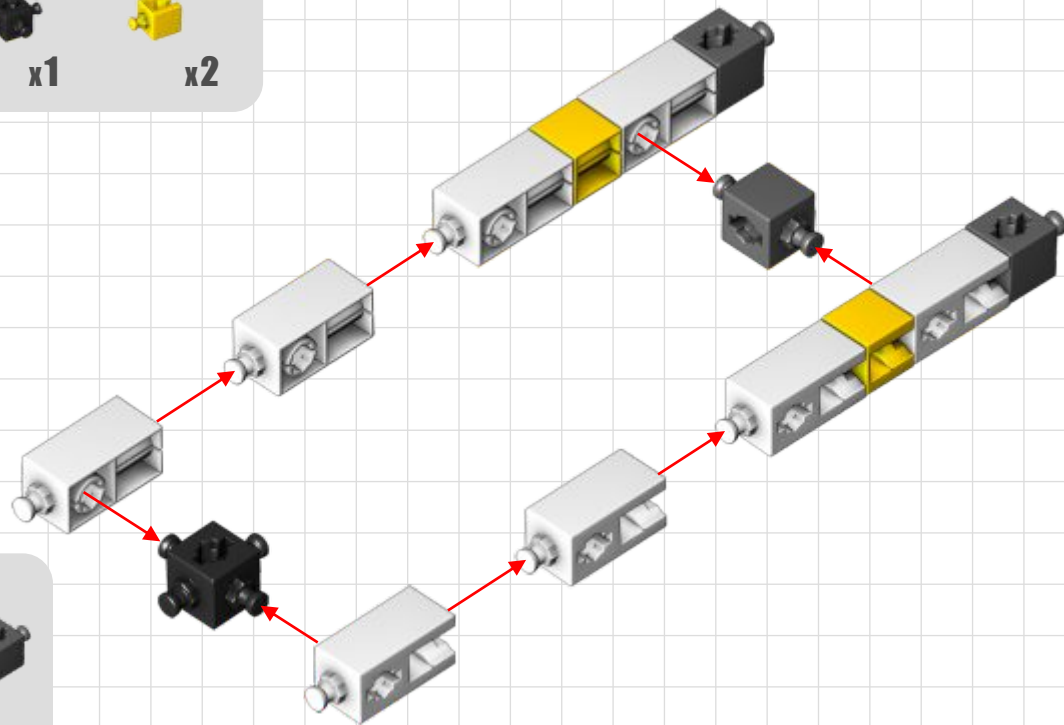
x3



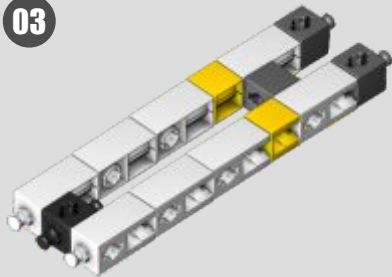
x1

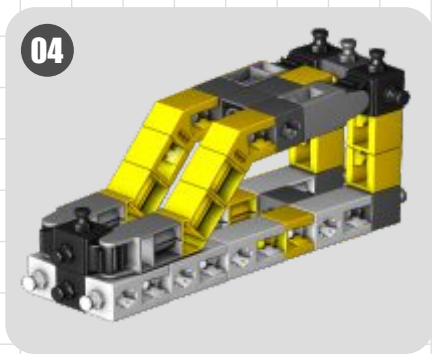
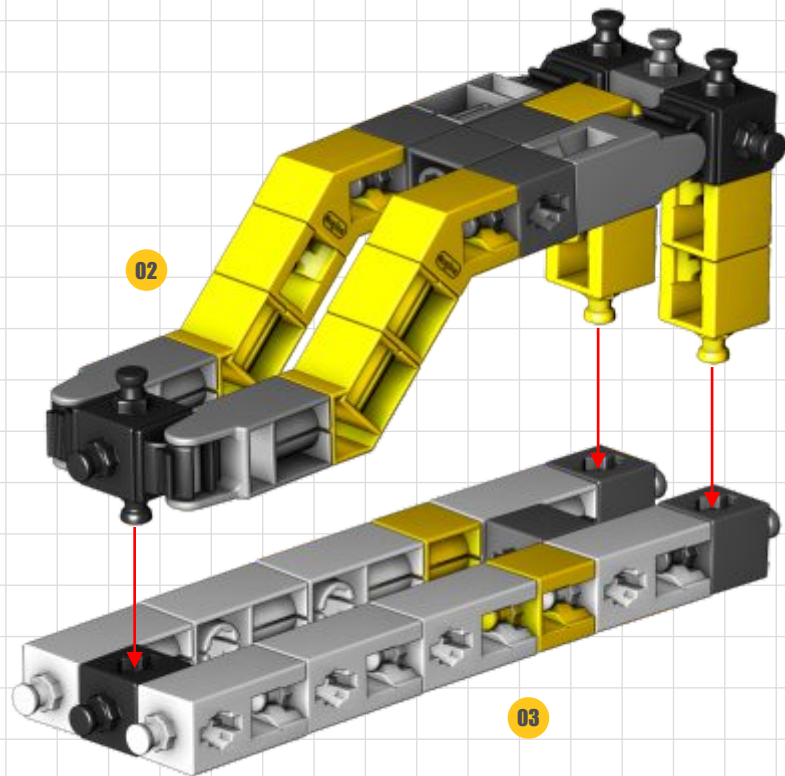


x2



03



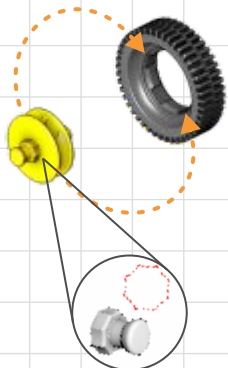




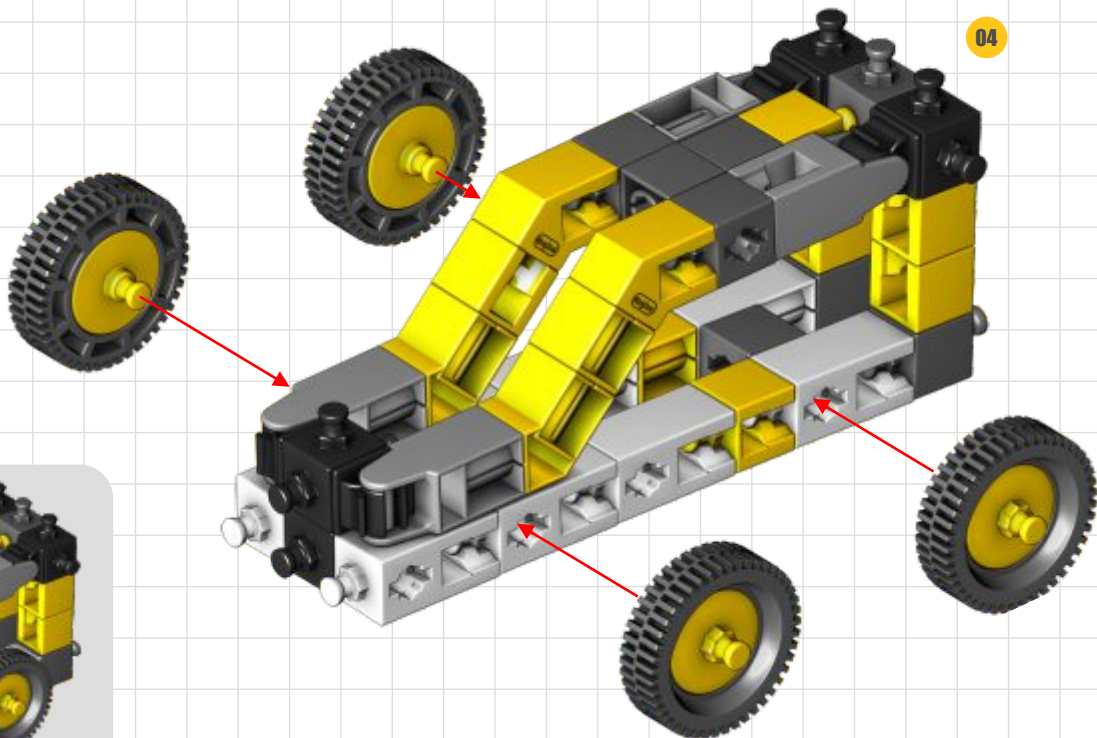
x4



x4



04



05

